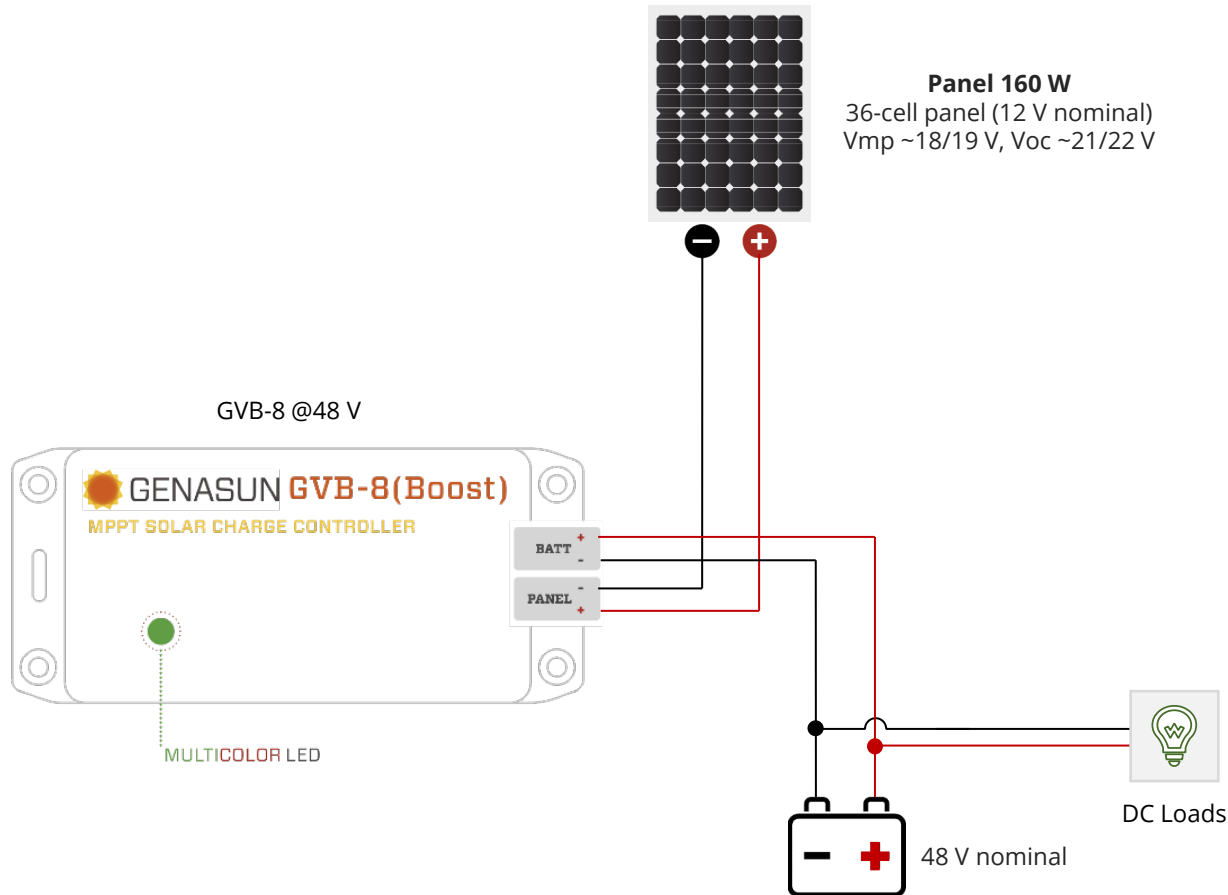


# Genasun GVB-8 (Boost)

Battery Voltage 12-48 V nominal | Max. Input Current 8 A | Max. Recomm. Panel Voc 50 V @ STC



PV Panel



Battery (Pb or Li)



DC Load

Sunforge LLC	11/2022 Rev.5
Single Line Diagram – GVB-8 Boost	<a href="https://sunforge.com/genasun/">https://sunforge.com/genasun/</a>